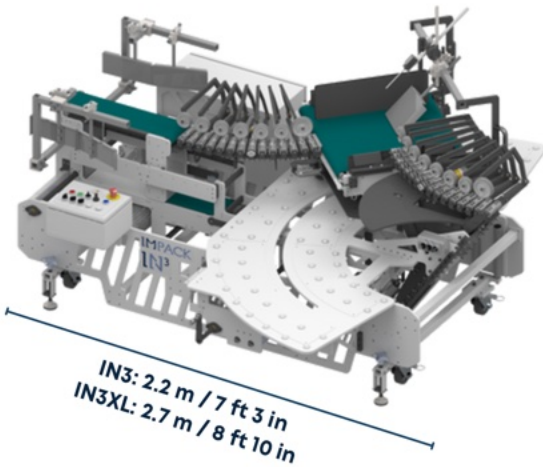
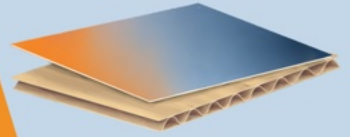
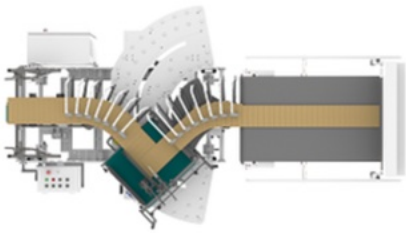


# IN3

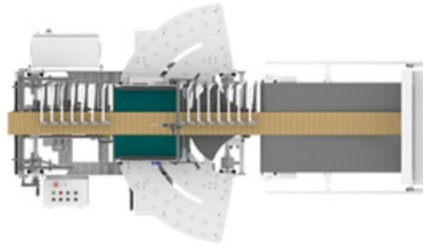
Dual input, dual output Box Turner  
IN3XL paired with VIRTUO



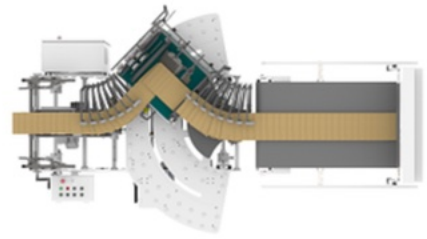
		Dimensions		Box		
IN3	Width	Min.	100 mm / 4 in	Length	Min.	125 mm / 5 in
		Max.	560 mm / 22 in		Max.	610 mm / 24 in
	Length	Min.	150 mm / 6 in	Width	Min.	150 mm / 6 in
		Max.	650 mm / 25.5 in		Max.	700 mm / 27.5 in



LEFT TURN MODE



BYPASS MODE



RIGHT TURN MODE



- Optimized for medium to large corrugated boxes, i.e., beverage and cat litter boxes
- Also turns 4/6 corner and basket beverage carriers



- Can also run small to medium straight-line boxes but these may be better packed on an ERGOSA with INH. Ask your sales manager for advice.
- Can also turn some autobottom boxes. Discuss with your sale representative.



Folder-Gluer Peripherals  
**Speed. Efficiency. Productivity.**

For more information contact your IMPACK Sales Representative.  
+1 450 839 7272. sales@impack.ca. [www.impack.ca](http://www.impack.ca)